

6

5

4

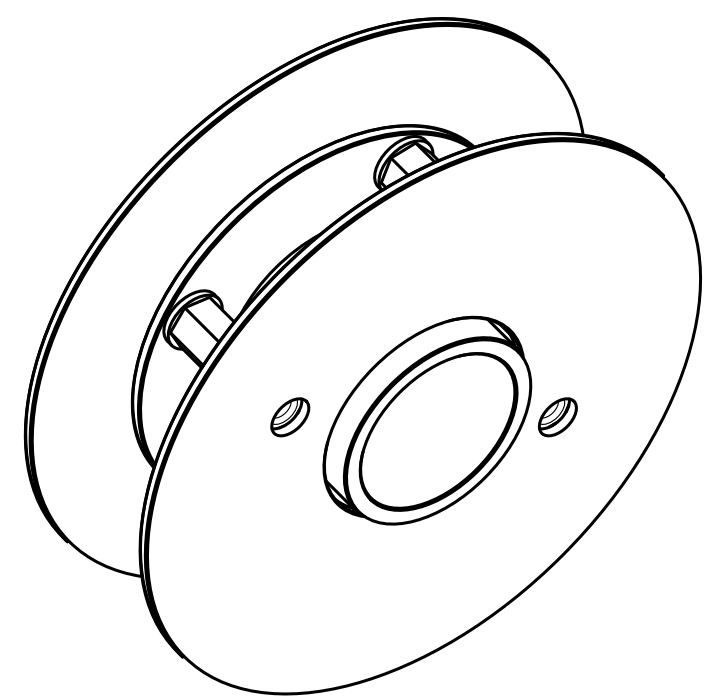
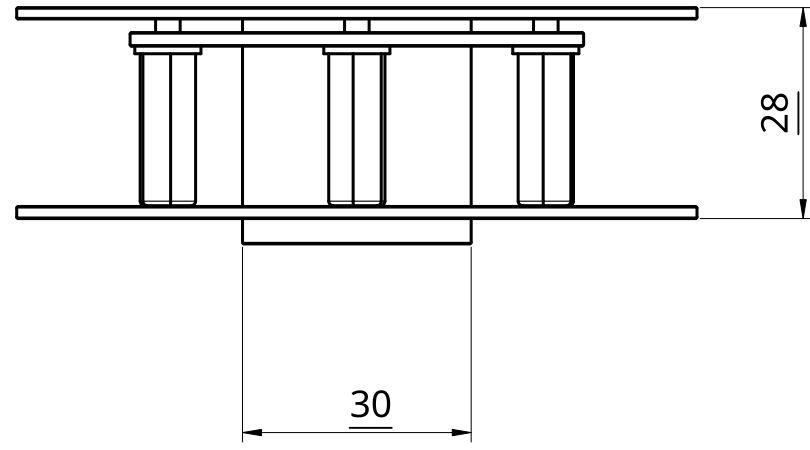
3

2

1

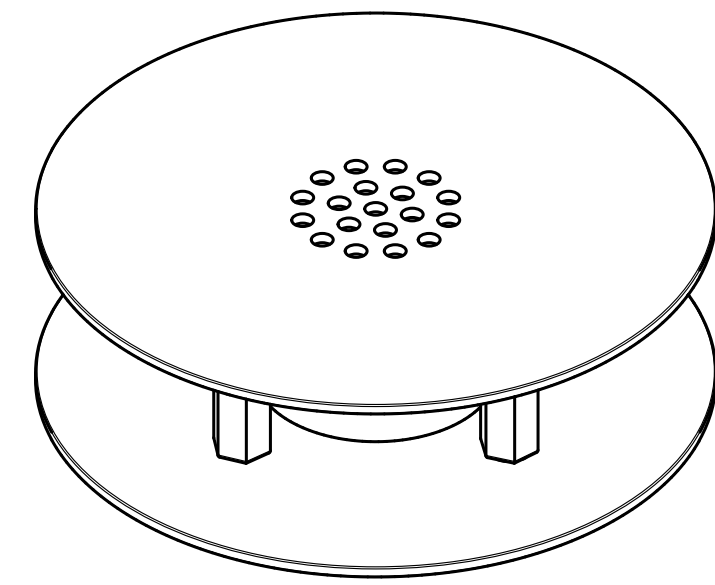
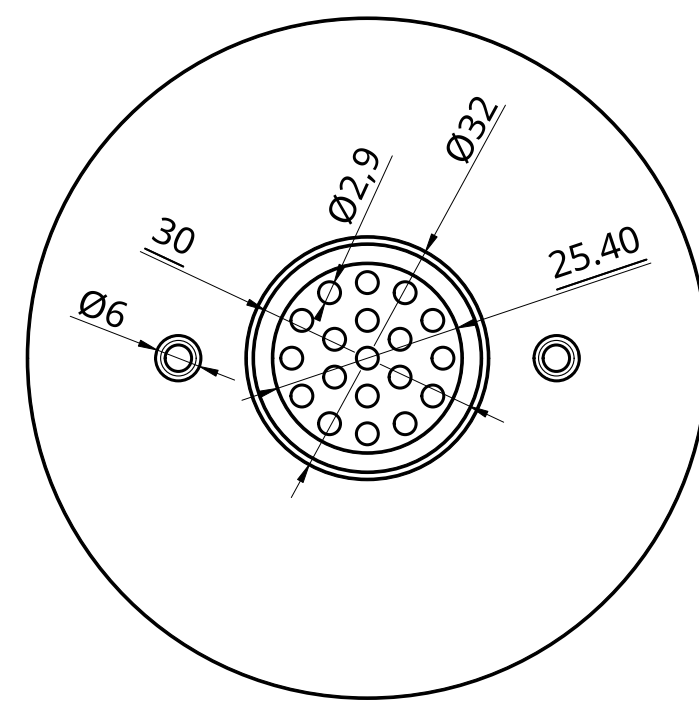
D

D



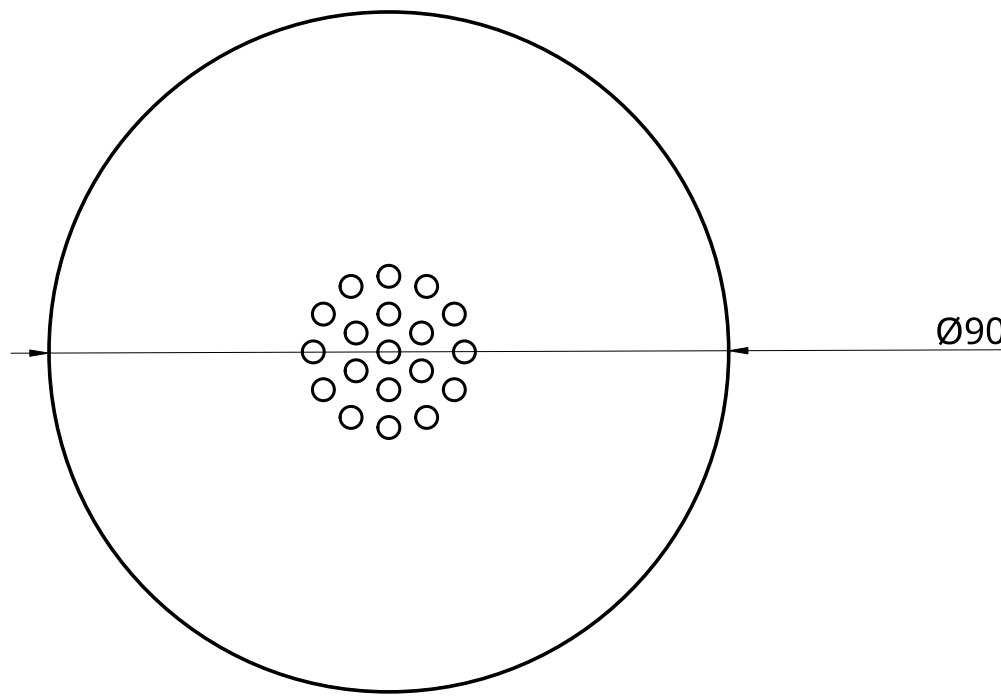
C

C



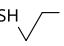
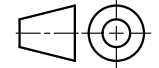
B

B



A

A

UNLESS OTHERWISE SPECIFIED, DIMENSIONS ARE IN MILLIMETERS		NAME	SIGNATURE	DATE		
ANGULAR = ± °		DRAWN	ERIK RUNDELIUS	2023-01-11	TITLE	
SURFACE FINISH 		CHECKED			ABS-TP-KRIM	
DO NOT SCALE DRAWING		APPROVED				
BREAK ALL SHARP EDGES AND REMOVE BURRS					SIZE	DWG NO.
FIRST ANGLE PROJECTION		MATERIAL	FINISH		A3	ABS-TP-KRIM måttritning
					SCALE	WEIGHT
					1:1	SHEET 1 of 1

6

5

4

3

2

1