

6

5

4

3

2

1

D

D

C

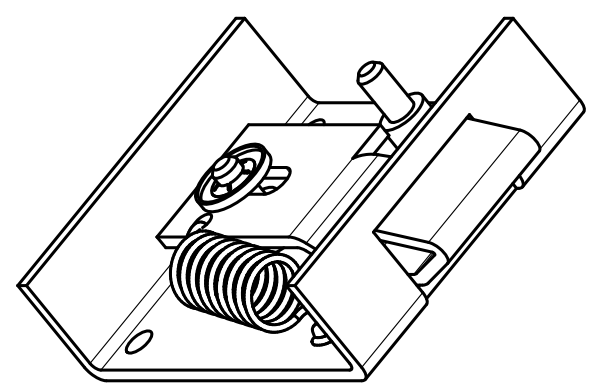
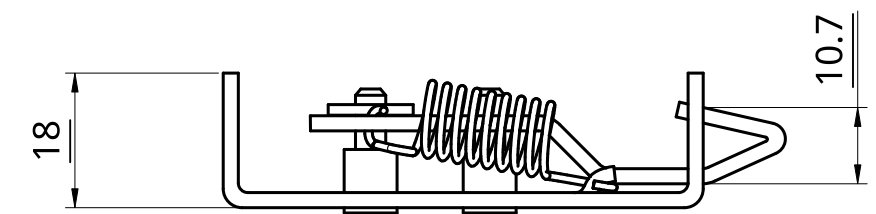
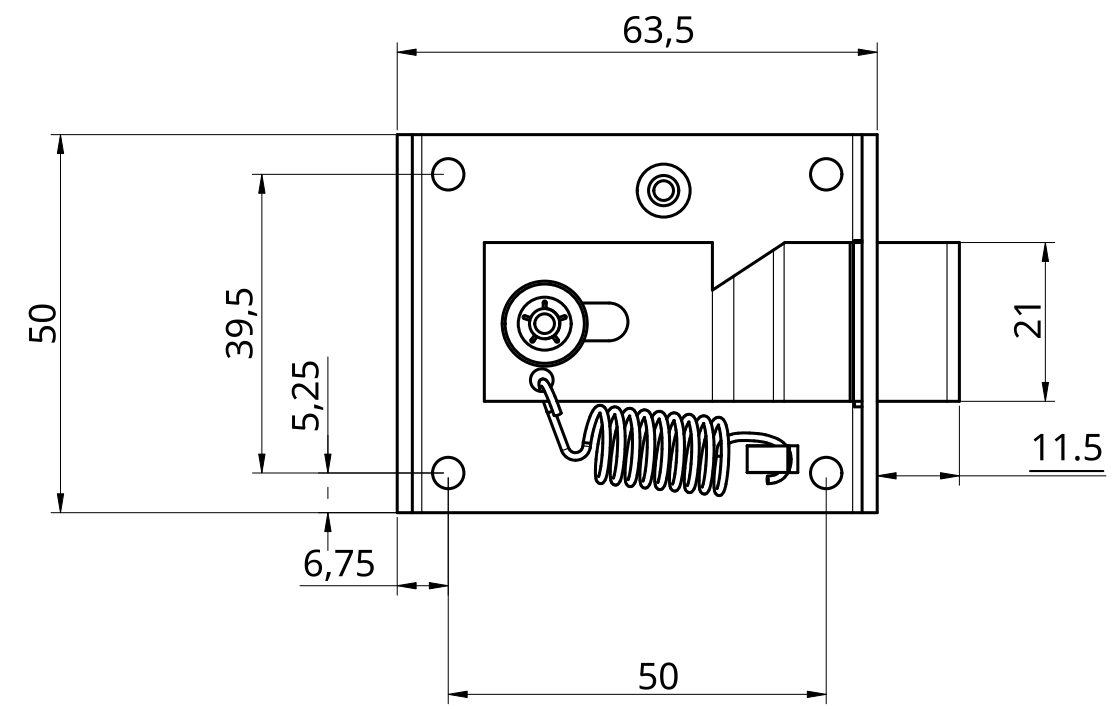
C

B

B

A

A



UNLESS OTHERWISE SPECIFIED, DIMENSIONS ARE IN MILLIMETERS		NAME	SIGNATURE	DATE		
ANGULAR = ± °		DRAWN	ERIK RUNDELIUS	2022-12-05	TITLE	
SURFACE FINISH		CHECKED			BKL-SL	
DO NOT SCALE DRAWING		APPROVED				
BREAK ALL SHARP EDGES AND REMOVE BURRS					SIZE	DWG NO.
FIRST ANGLE PROJECTION		MATERIAL		FINISH		REV.
				A3		
				SCALE	WEIGHT	SHEET
				1:1		1 of 1

6

5

4

3

2

1