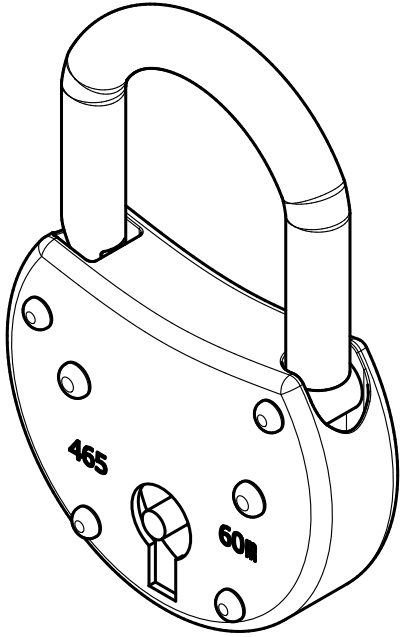
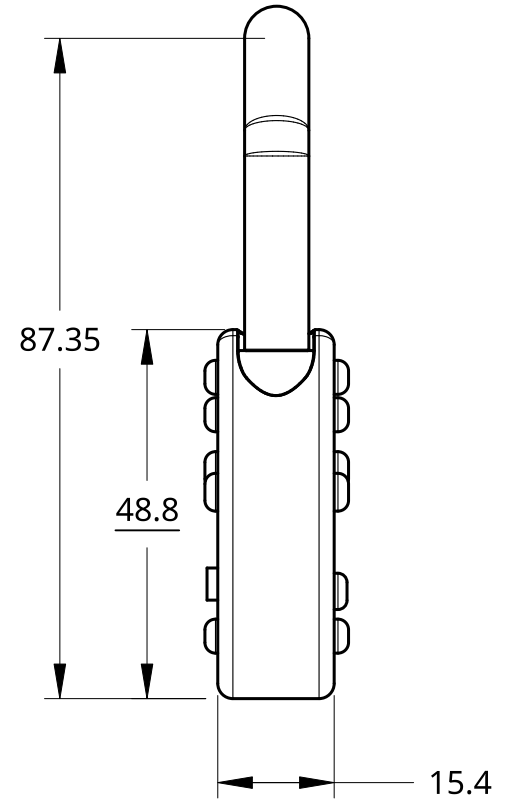
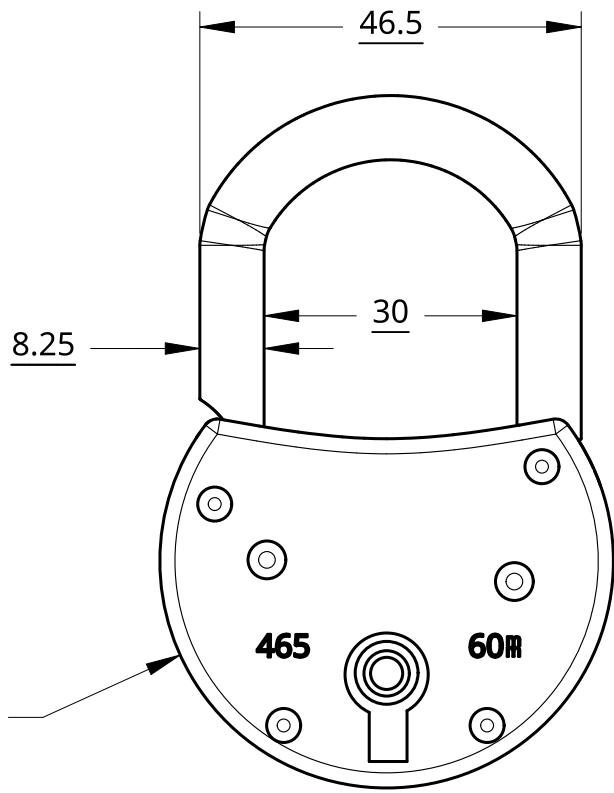


2

1

B

B



A

A

2

1

UNLESS OTHERWISE SPECIFIED, DIMENSIONS ARE IN MILLIMETERS		NAME	DATE		
ANGULAR = ± °		DRAWN	ERIK RUNDELIUS	07/28/2022	
SURFACE FINISH		CHECKED			TITLE
DO NOT SCALE DRAWING		APPROVED			<b>Hänglås HL-1</b> <b>ATECO</b>
BREAK ALL SHARP EDGES AND REMOVE BURRS					
THIRD ANGLE PROJECTION		MATERIAL	FINISH		SIZE
					<b>A</b>
					DWG. NO.
					<b>1</b>
					REV.
					SCALE
					<b>1:1</b>
					WEIGHT
					SHEET
					<b>1 of 1</b>