

6

5

4

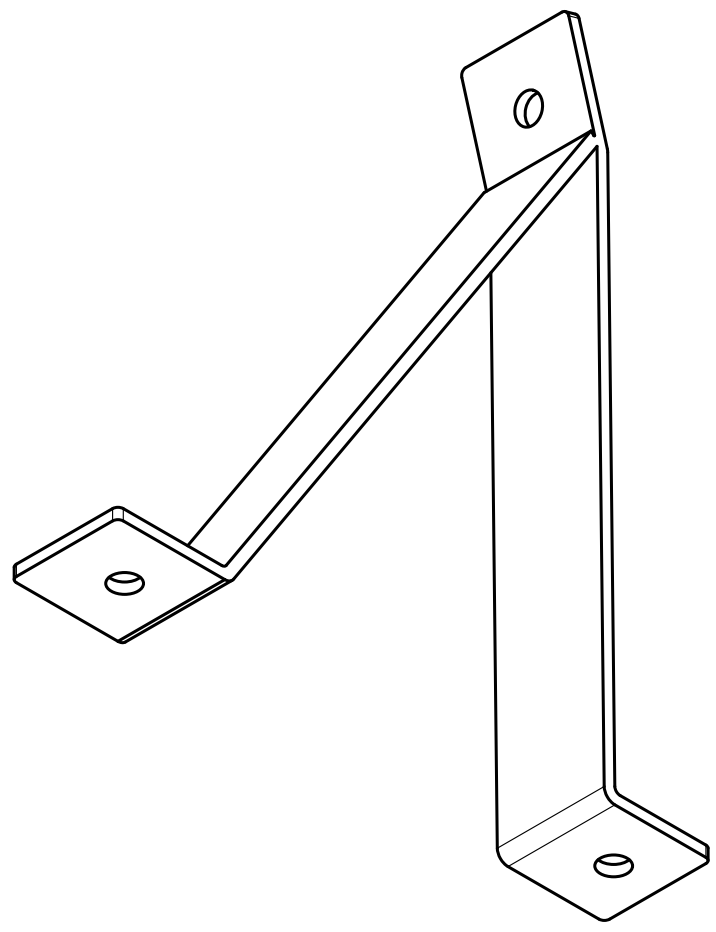
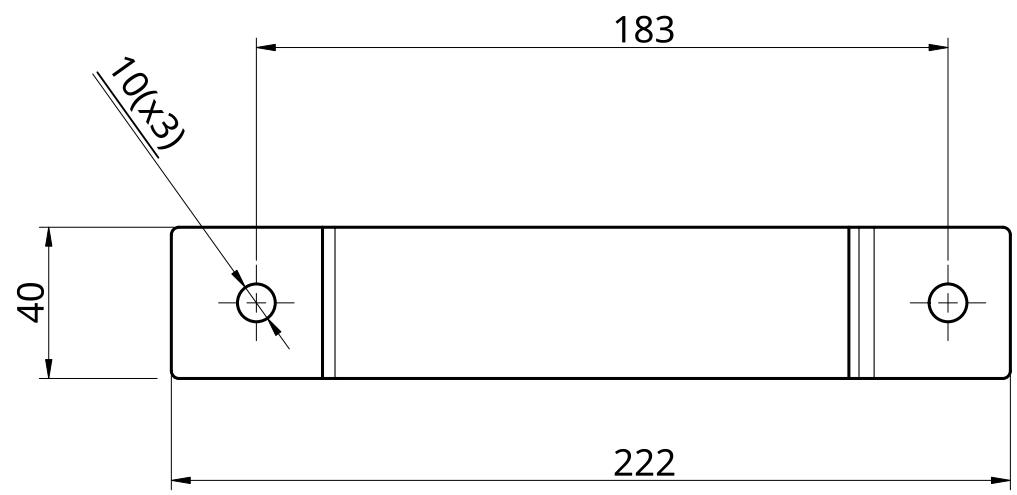
3

2

1

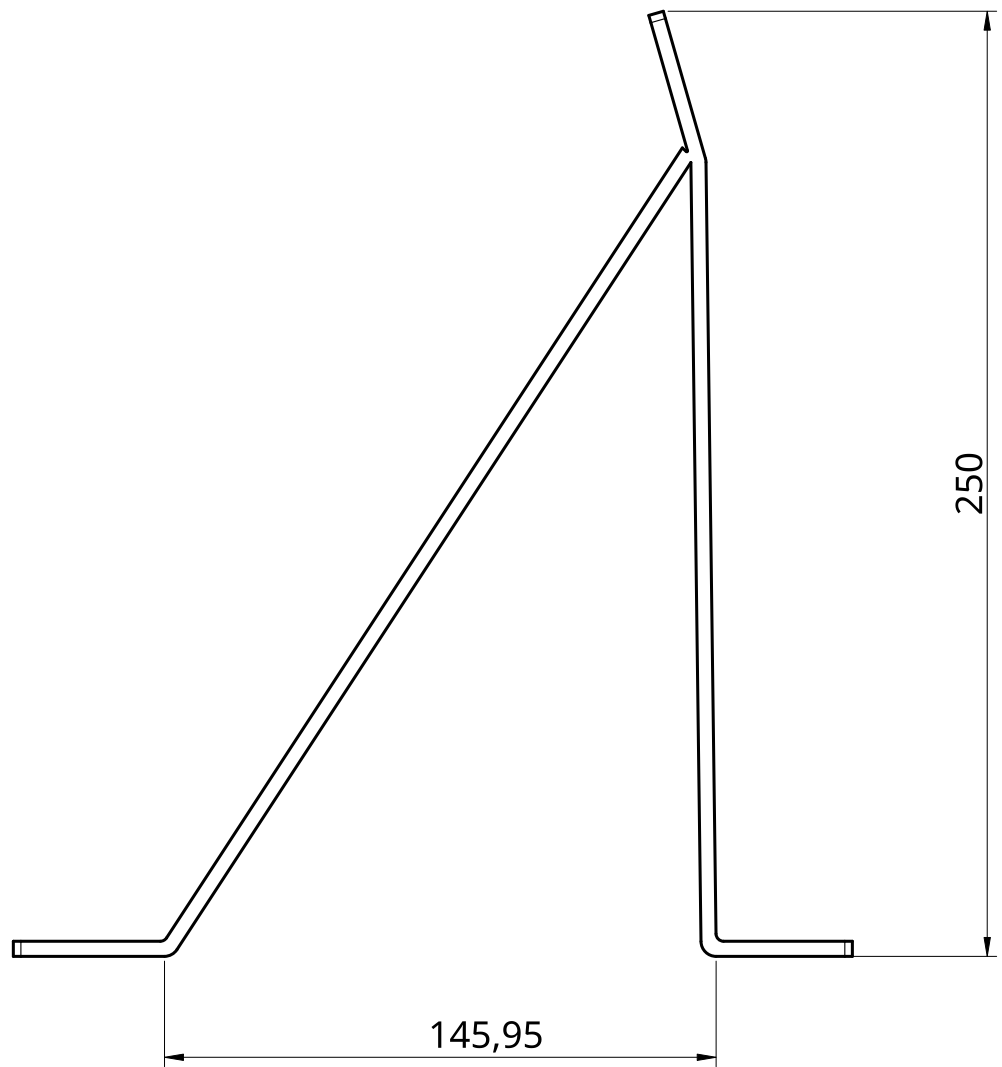
D

D



C

C



B

B

A

A

UNLESS OTHERWISE SPECIFIED, DIMENSIONS ARE IN MILLIMETERS	NAME	SIGNATURE	DATE	TITLE ATECO K-CQVF	
	DRAWN	ERIK RUNDELIUS	2024-01-17		
	CHECKED				
	APPROVED				
ANGULAR = ± °	MATERIAL		FINISH		SIZE A3
SURFACE FINISH					DWG NO.
DO NOT SCALE DRAWING					REV.
BREAK ALL SHARP EDGES AND REMOVE BURRS					
FIRST ANGLE PROJECTION					SCALE 1:2
					WEIGHT
					SHEET 1 of 1

6

5

4

3

2

1