

6

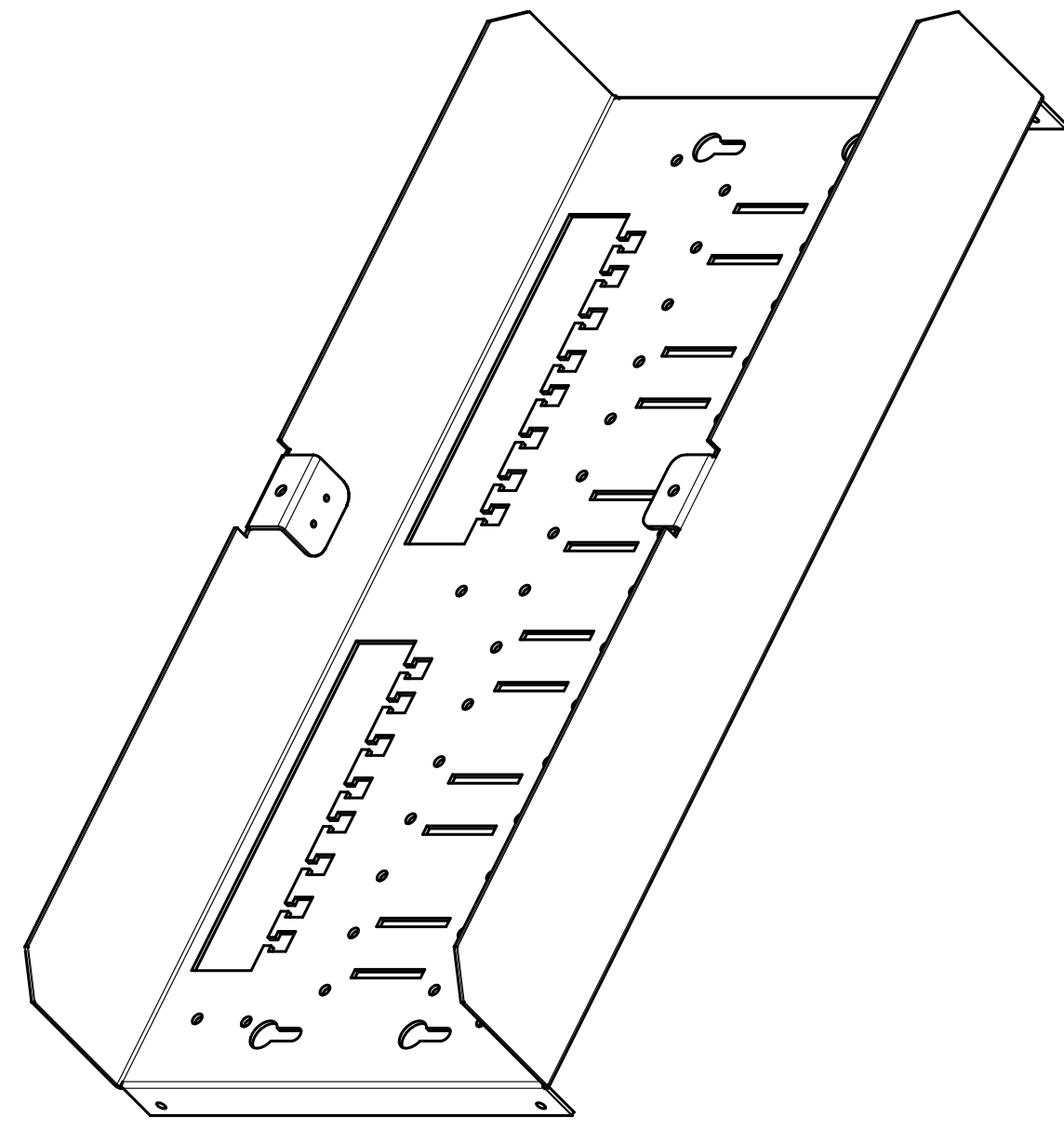
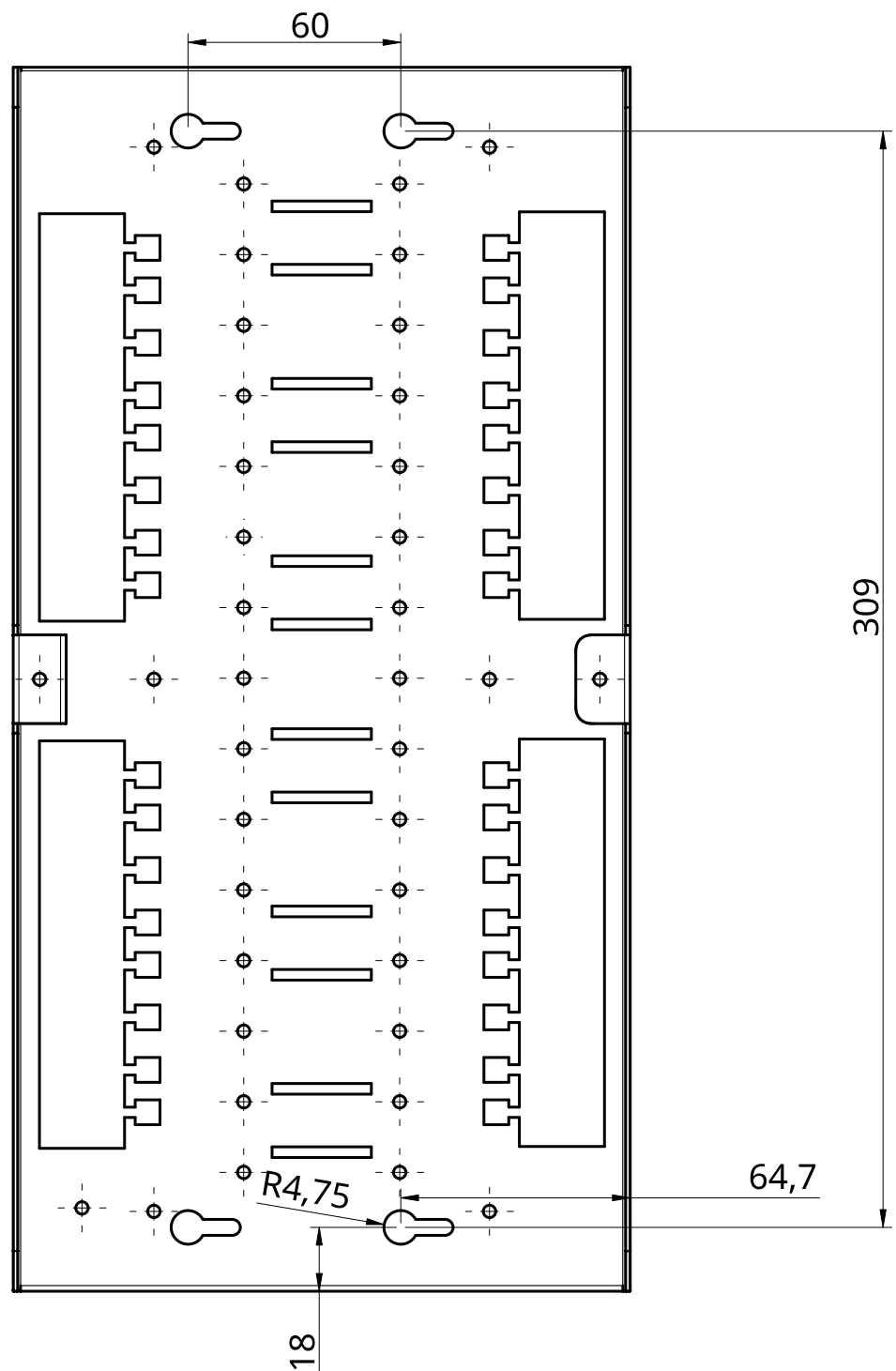
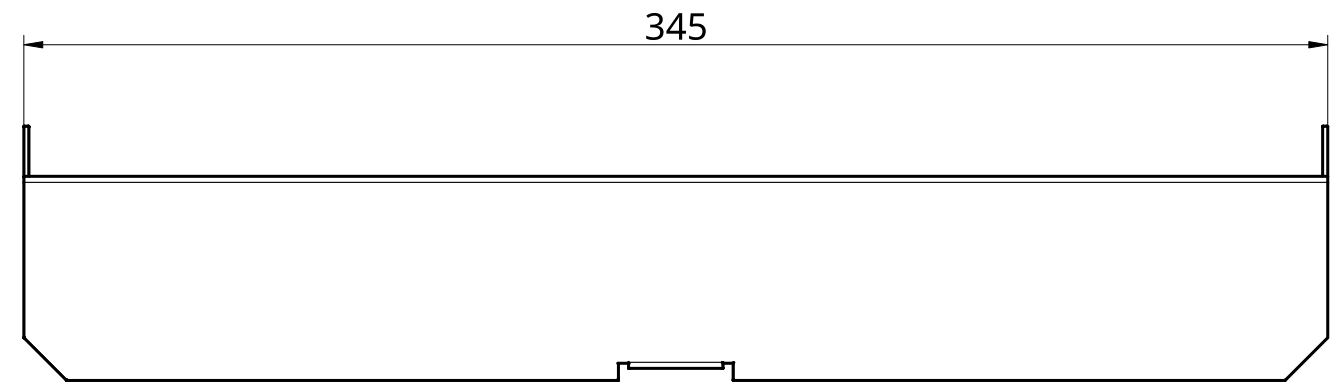
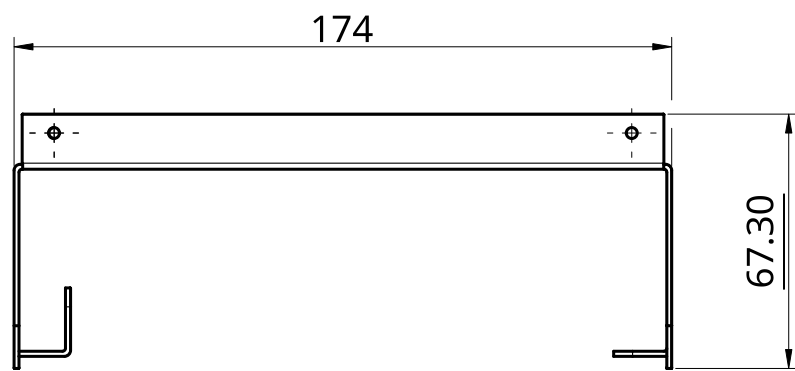
5

4

3

2

1



UNLESS OTHERWISE SPECIFIED, DIMENSIONS ARE IN MILLIMETERS	NAME	SIGNATURE	DATE	TITLE
	DRAWN	ERIK RUNDELIUS	2022-12-28	
	CHECKED			
	APPROVED			
ANGULAR = ± °				
SURFACE FINISH				
DO NOT SCALE DRAWING				
BREAK ALL SHARP EDGES AND REMOVE BURRS				
FIRST ANGLE PROJECTION	MATERIAL	FINISH		SIZE <b>A3</b>
				DWG NO. <b>KPB-8</b>
				REV.
		SCALE <b>1:2</b>	WEIGHT	SHEET <b>1 of 1</b>

D

D

C

C

B

B

A

A

6

5

4

3

2

1