

6

5

4

3

2

1

D

D

C

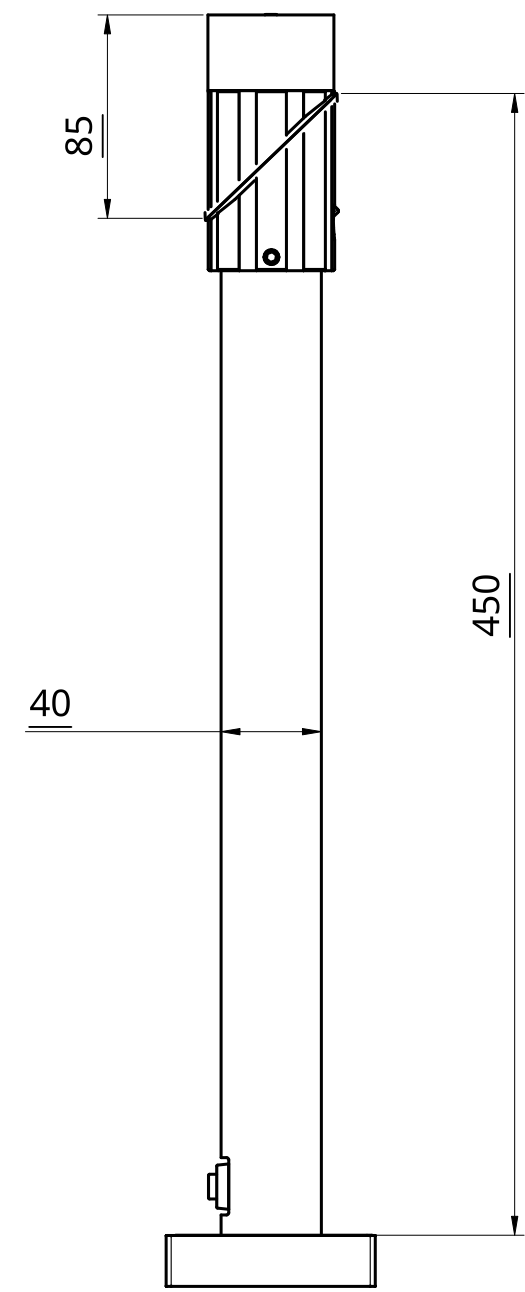
C

B

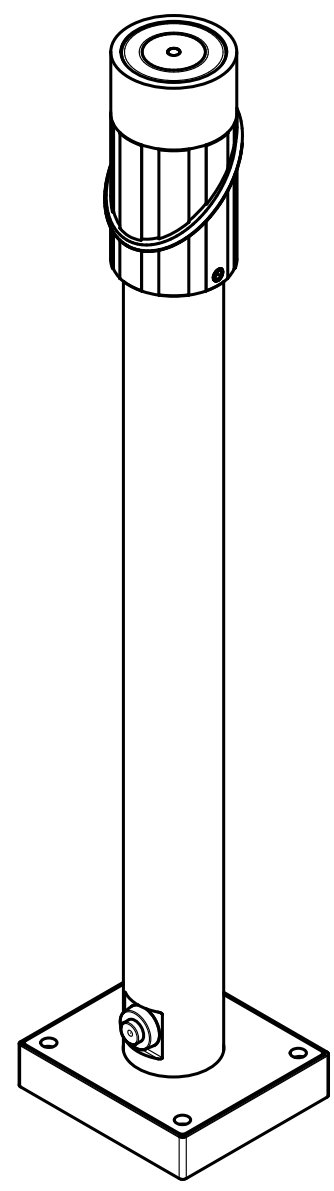
B

A

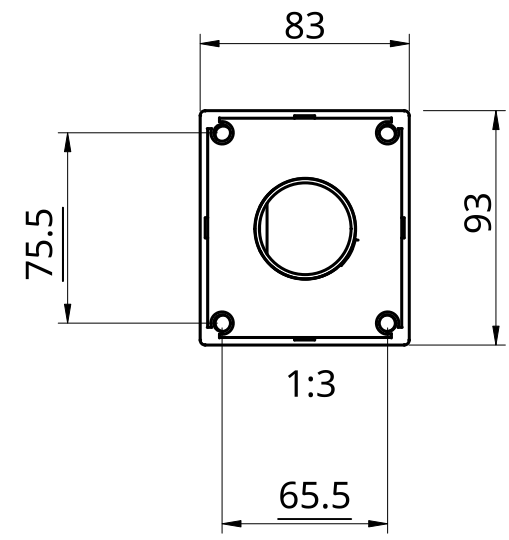
A



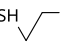
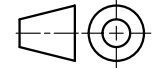
1:3



1:3



1:3

UNLESS OTHERWISE SPECIFIED, DIMENSIONS ARE IN MILLIMETERS ANGULAR = ± ° SURFACE FINISH  DO NOT SCALE DRAWING BREAK ALL SHARP EDGES AND REMOVE BURRS FIRST ANGLE PROJECTION 		NAME	SIGNATURE	DATE	TITLE			
	DRAWN	ERIK RUNDELIUS		2023-01-11			M-CQTUB-D-450	
	CHECKED							
	APPROVED				SIZE	DWG NO.	REV.	
		MATERIAL	FINISH		A3			
				SCALE	1:8	WEIGHT	SHEET	1 of 1

6

5

4

3

2

1