

6

5

4

3

2

1

D

D

C

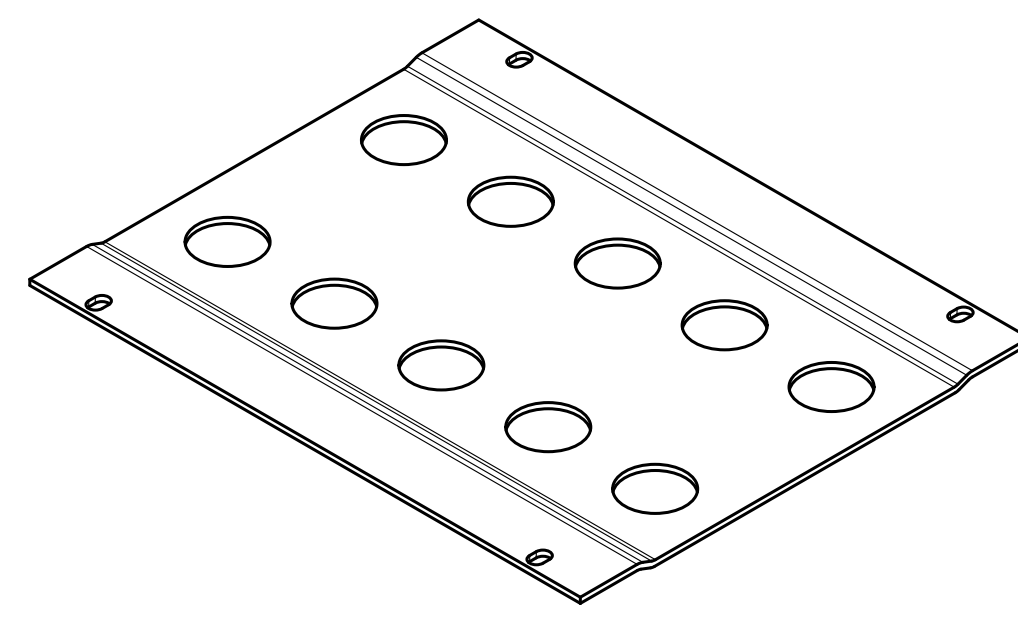
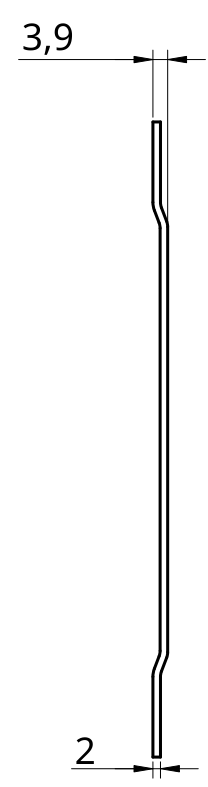
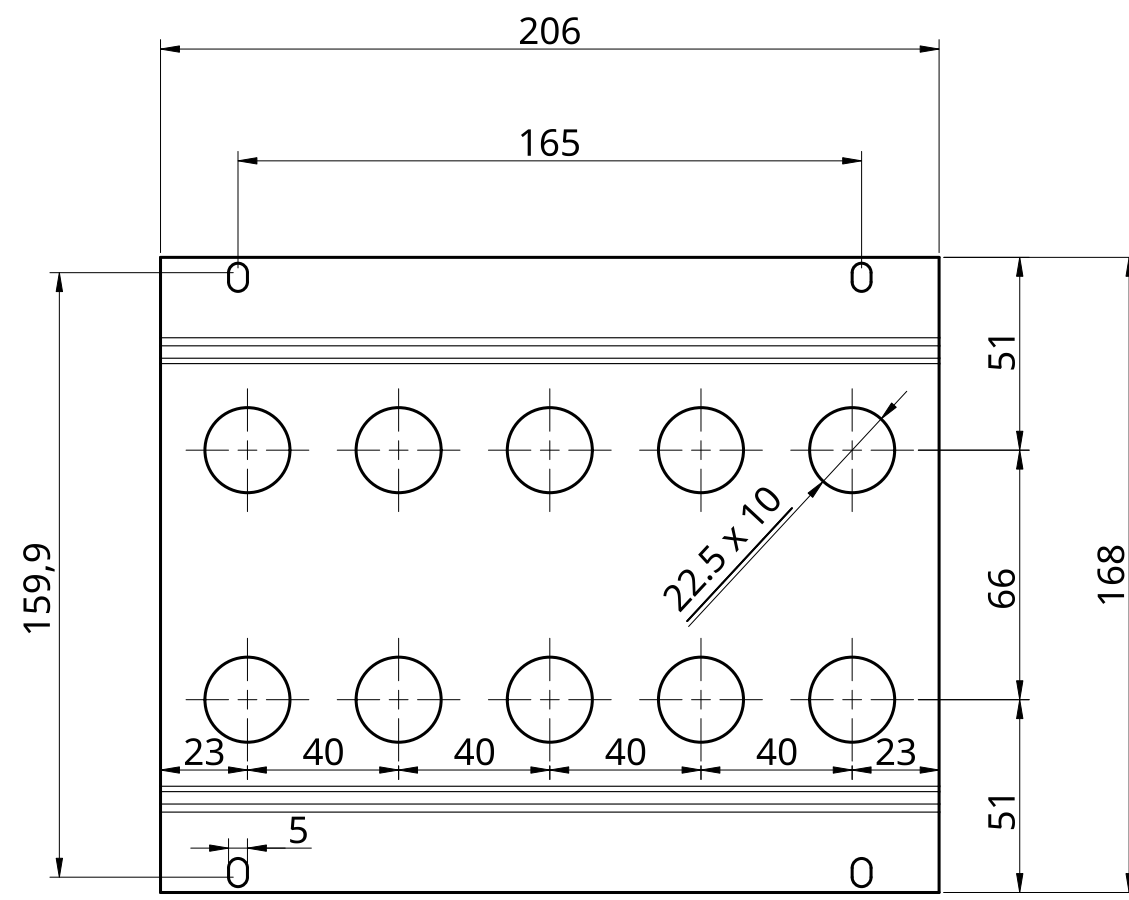
C

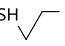
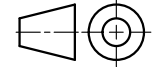
B

B

A

A



UNLESS OTHERWISE SPECIFIED, DIMENSIONS ARE IN MILLIMETERS ANGULAR = ± ° SURFACE FINISH  DO NOT SCALE DRAWING BREAK ALL SHARP EDGES AND REMOVE BURRS FIRST ANGLE PROJECTION 		NAME	SIGNATURE	DATE	TITLE MS-5-10MP	
	DRAWN	ERIK RUNDELIUS		2023-08-08		
	CHECKED					
	APPROVED				SIZE A3	DWG NO.
	MATERIAL	FINISH		SCALE 1:2	WEIGHT	SHEET 1 of 1

6

5

4

3

2

1