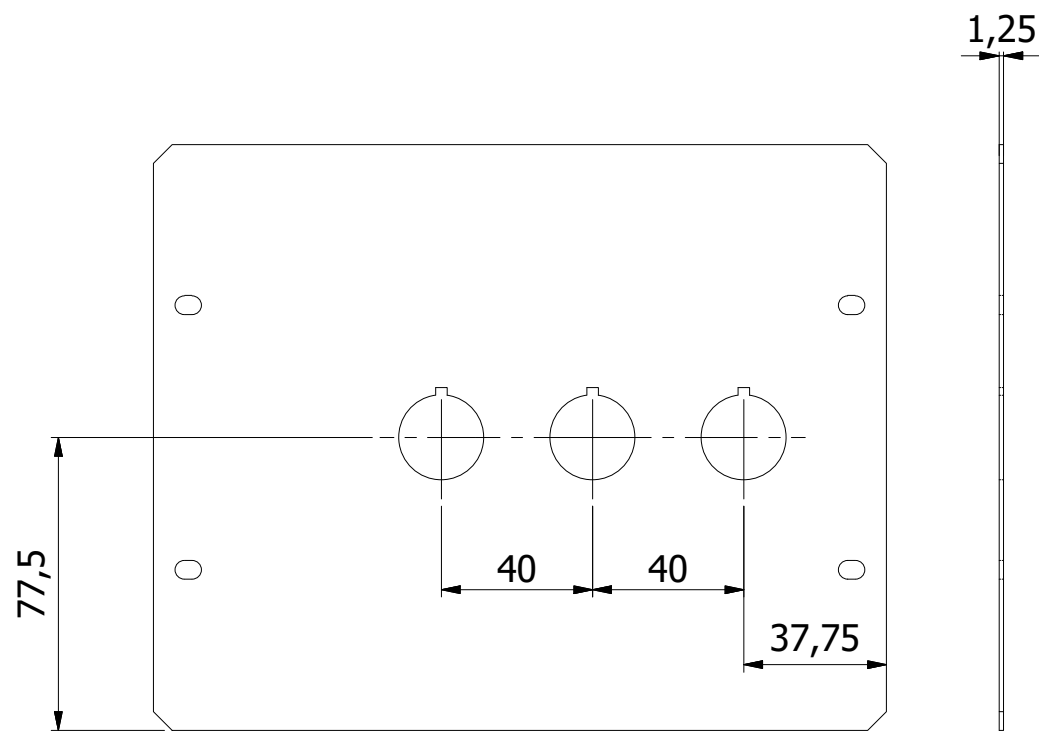
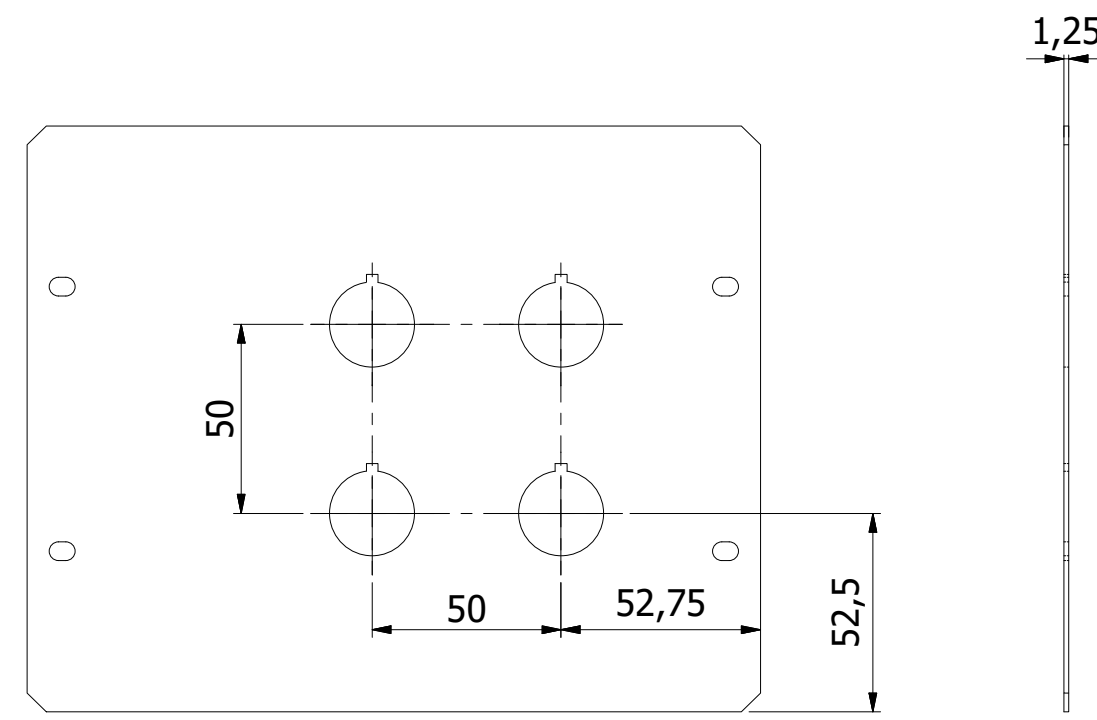


Övriga mått lika som #1



Övriga mått lika som #1



Övriga mått lika som #1

Lackad struktur RAL9010 Vit

Designed by robin	Date/YYYY-MM-DD 2022-03-16	General tolerance machined parts ISO 2768-mK	General tolerance welded, brazed, assembly constructions ISO 13920-BF	Status	Format A3	Scale N/A	Proj.
Reviewed by	Date/YYYY-MM-DD	Mass N/A	Material / Specification Generic	Project -			
			Description				
			Drawing no RLS100-FP1-4	Revision -	Sheet 1 / 1		

Rev	Description	Rev. by	Date	Remark
-	Initial release.			