

6

5

4

3

2

1

D

D

C

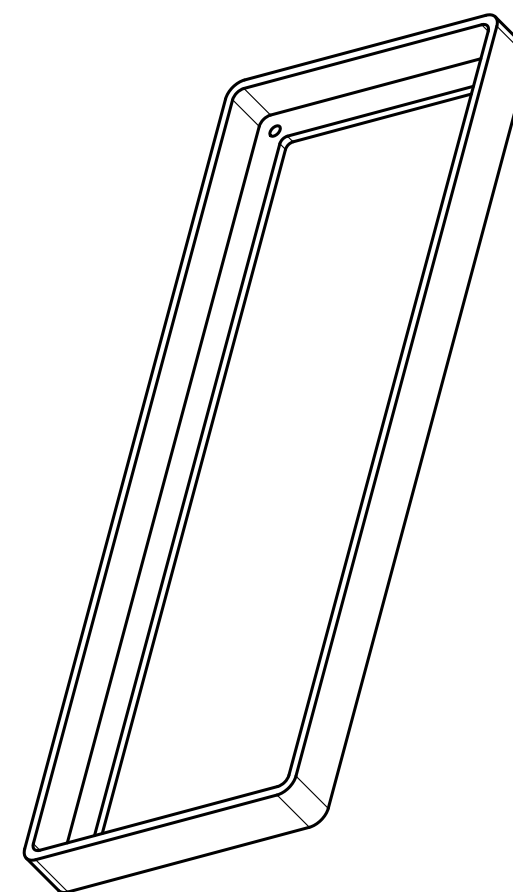
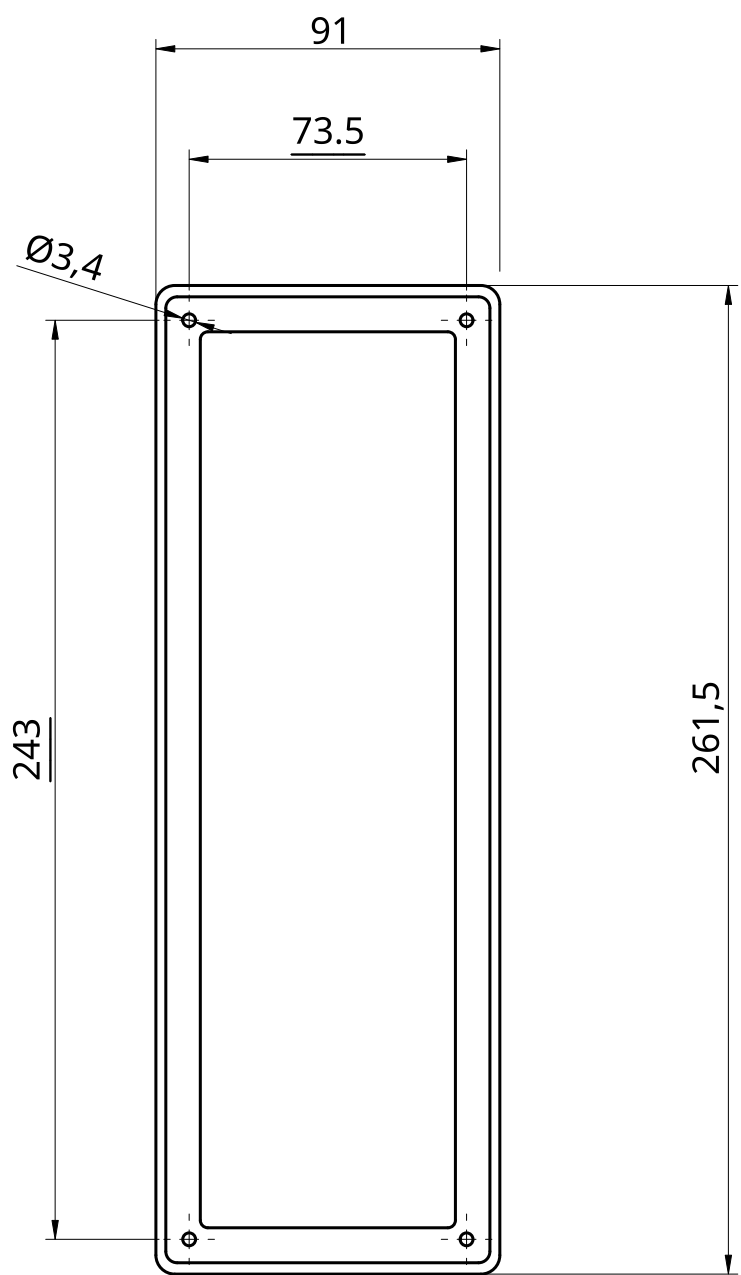
C

B

B

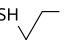

A

A



1:2

1:2

UNLESS OTHERWISE SPECIFIED, DIMENSIONS ARE IN MILLIMETERS		NAME	SIGNATURE	DATE	ATECO			
	ANGULAR = ± °	DRAWN	ERIK RUNDELIUS					2022-11-09
	SURFACE FINISH 	CHECKED				TITLE Monteringsritning för ramen till NDT-K		
		APPROVED						
DO NOT SCALE DRAWING					SIZE	DWG NO.	REV.	
BREAK ALL SHARP EDGES AND REMOVE BURRS					A3	NDT-K monteringsritning		
FIRST ANGLE PROJECTION	MATERIAL	FINISH			SCALE	WEIGHT	SHEET	
					1:3		1 of 1	

6

5

4

3

2

1