

europyre
L I M I T E D

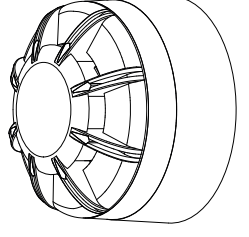
www.europyre.co.uk

Unit C1 Knowle Village Business
Park, Mayles Lane, Wickham,
Hampshire, PO17 5DY, UK

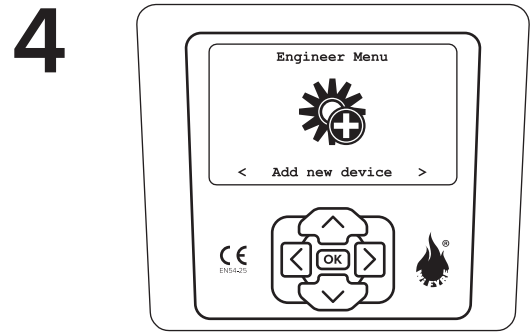
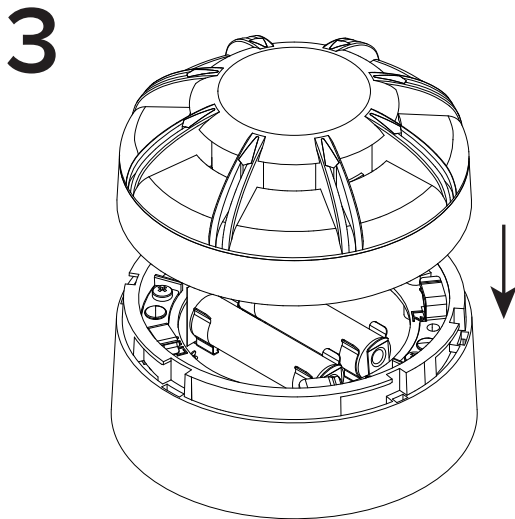
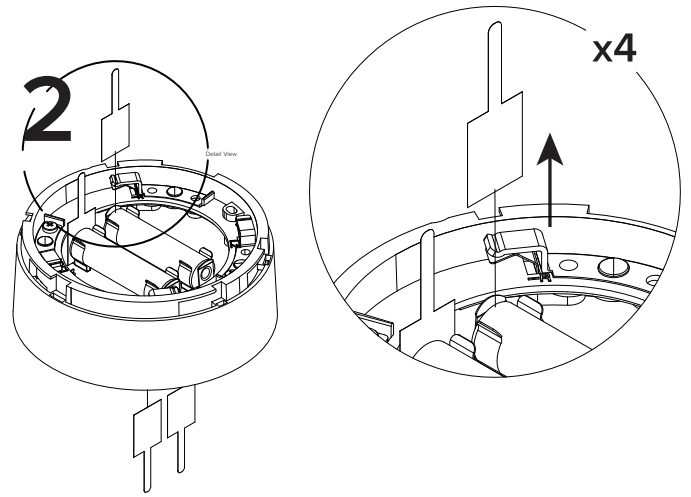
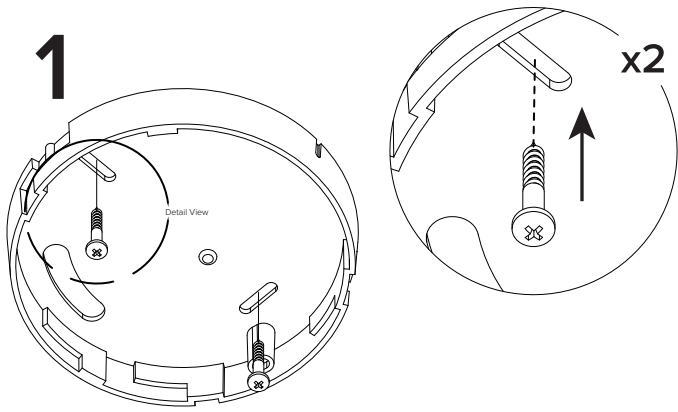


Wireless Optical Smoke Detector
Installation Guide

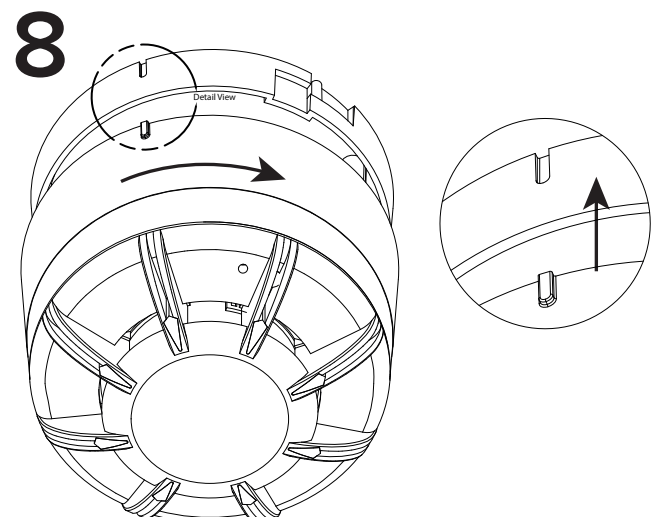
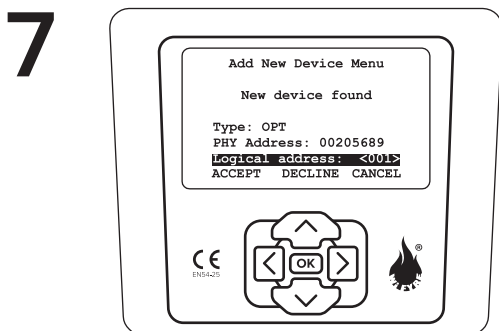
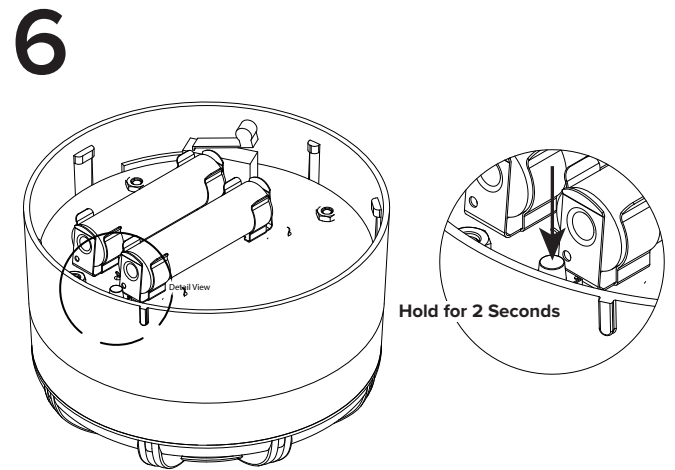
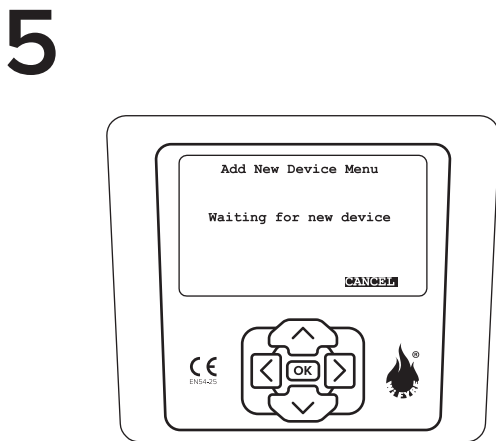
Part No. 10-010



Document Ref. WFOPTIG
Version: 01



1. Enter Engineering Menu
2. Scroll to Add new device
3. Enter menu



1. Select the device type 'OPT'
2. Choose the logical address
3. Accept the new device